



European *T*echnical *C*enter
for Engineering & Distribution GmbH

Catálogos

Catalogues

Catalogue

Katalog



ETC-Distribution
www.etc-distribution.com

PUMP SERIES

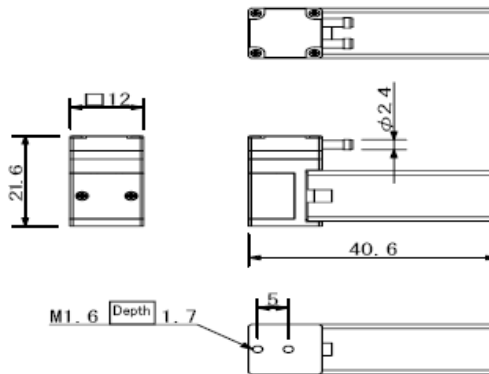
S3038

Micro diaphragm pump

Currently only available as prototype !!



Dimension



Weight 27g
Unit (mm)

Advantage

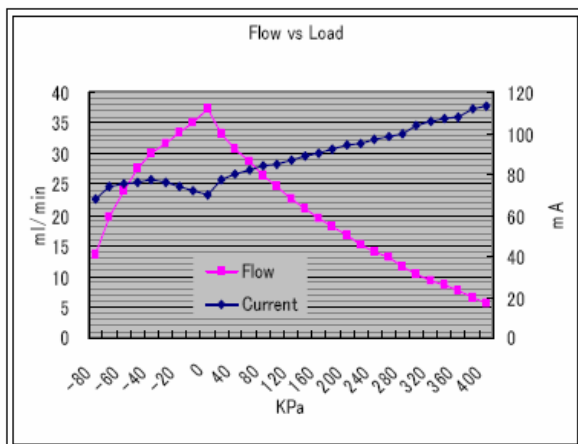
- ▶▶ Compact and Light design
- ▶▶ DC Brushless motor & high efficiency
- ▶▶ Good chemical resistance
- ▶▶ Maintenance Free & Long Life Operation
- ▶▶ Oil & Contamination Free
- ▶▶ Quite Operation
- ▶▶ Namiki's Patented Non-Return Valves
- ▶▶ Self Priming

Application

- ▶▶ Mobile fuel cell
- ▶▶ Laboratory equipment
- ▶▶ Plating process
- ▶▶ Chemical analyzer
- ▶▶ Medical treatment equipment

Ordering number

Ordering number	S3038	
Normal Voltage	12	V
Motor type	Namiki DC Brushless	
Maximum flow rate	30	ml/min
Rated flow rate	80	mA
Exhaust pressure range	0...+200	kPa
Suction pressure range	-50...0	kPa

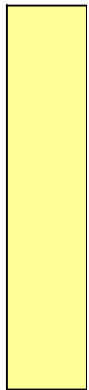
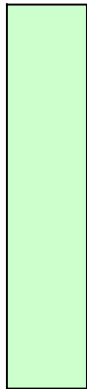
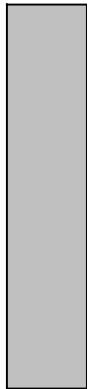


General Specifications

Rubber material (Composition)	FKM
Metal material	SUS303

Conditions: Data displayed in this datasheet are measured with purified water at 20°C using a Toalon-G tube of 2 mm internal (4 mm external) diameter and 80 cm length using Namiki standard test equipment.

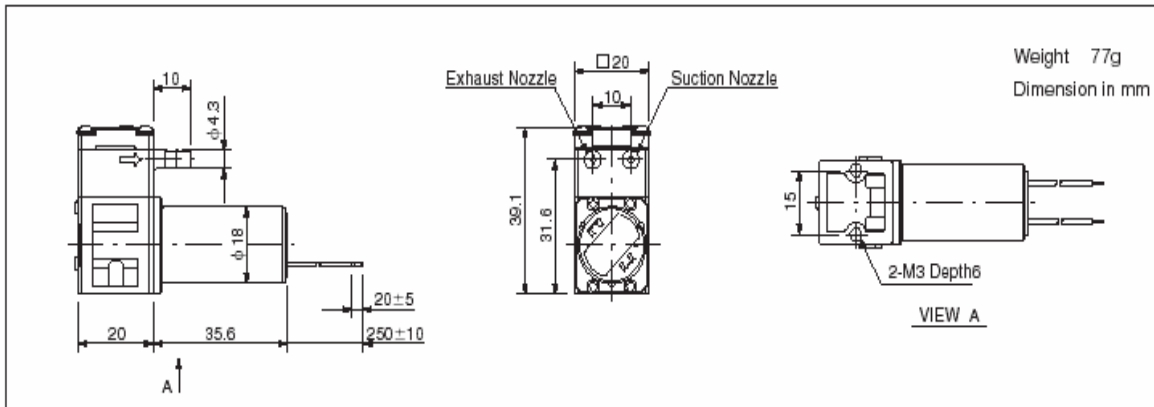
Options: For special solutions or different wetted materials please contact our sales division.



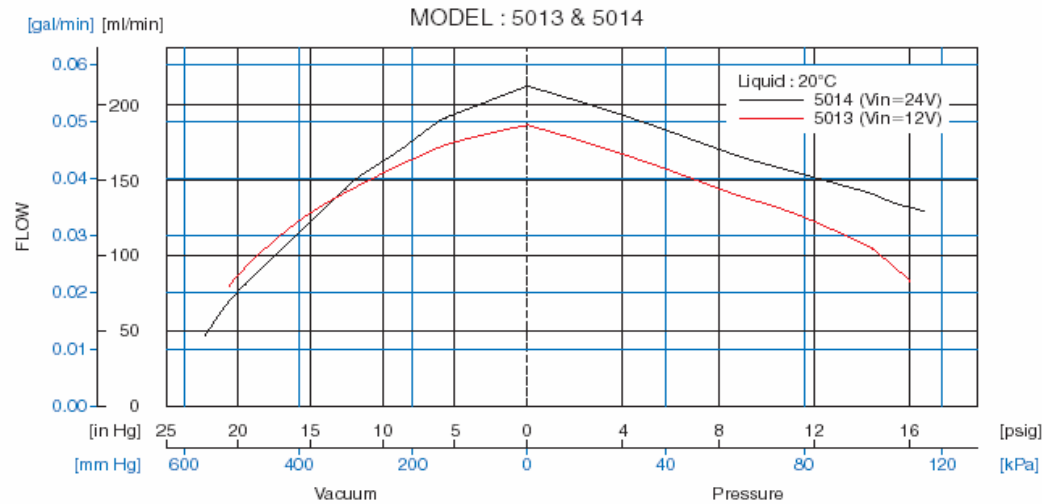
PUMP SERIES

5013 & 5014

Micro Diaphragm Liquid Pump



Performance characteristics



Options:

For special solutions or different wetted materials, please contact our sales division.

Ordering number	5033	5034	5043	5044
Diaphragm	FKM Option	FKM Option	PTFE	PTFE

Nozzle

OD 5mm nozzle is available.

General Specifications

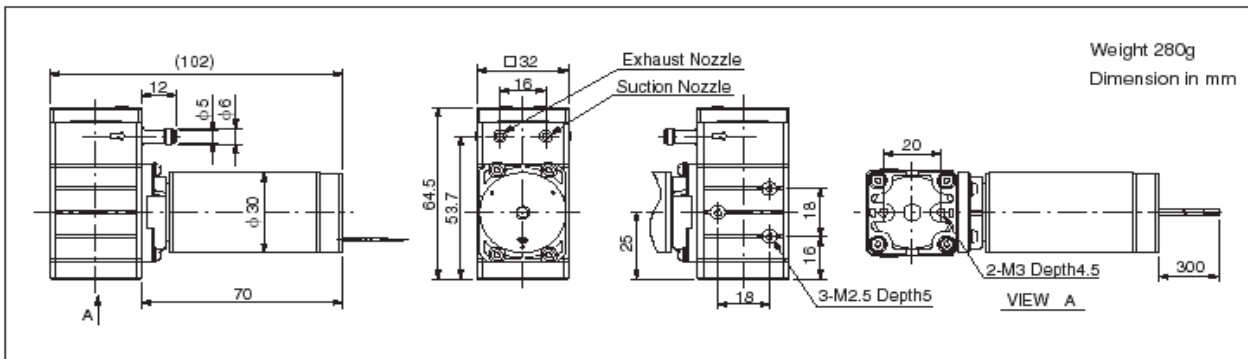
Ambient temperature range	+5...+50	°C
Fluid temperature	+5...+50	°C
Rubber material	FKM	
Resin material	PFA, POM	

Conditions: Data displayed in this datasheet are measured with purified water at 20°C using a Toalon-G tube of 4 mm internal (6mm external) diameter and 160cm length using Namiki standard test equipment.

PUMP SERIES

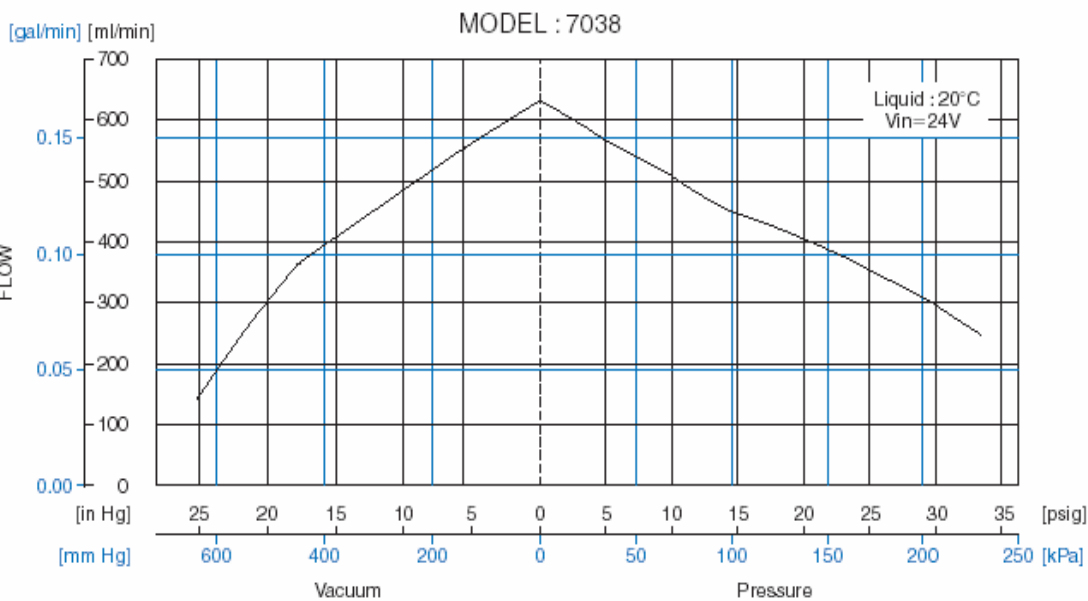
7038

Micro Diaphragm Liquid Pump



English

Performance characteristics



Options:

For special solutions or different wetted materials, please contact our sales division.

Ordering number	7048
Diaphragm	PTFE

General Specifications

Ambient temperature range	+5...+50	°C
Fluid temperature	+5...+50	°C
Rubber material	FKM	
Resin material	PFA, POM	

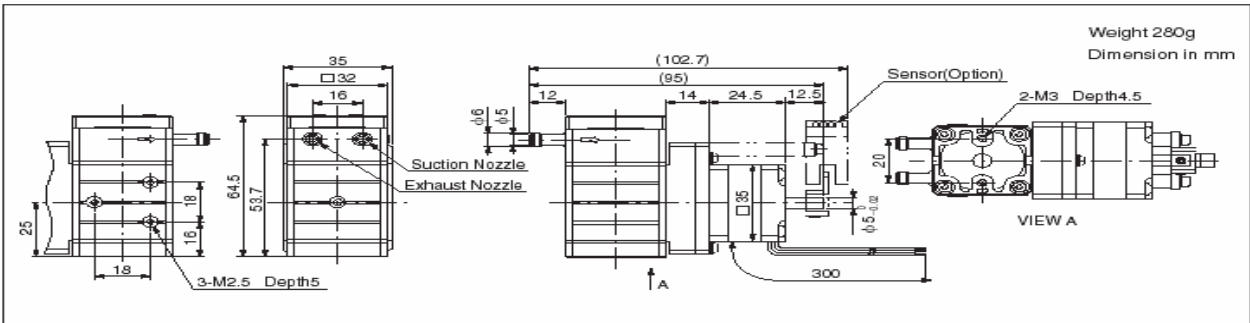
Conditions: Data displayed in this datasheet are measured with purified water at 20°C using a Toalon-G tube of 4 mm internal (6mm external) diameter and 160cm length using Namiki standard test equipment.

Specifications subject to change without notice

PUMP SERIES

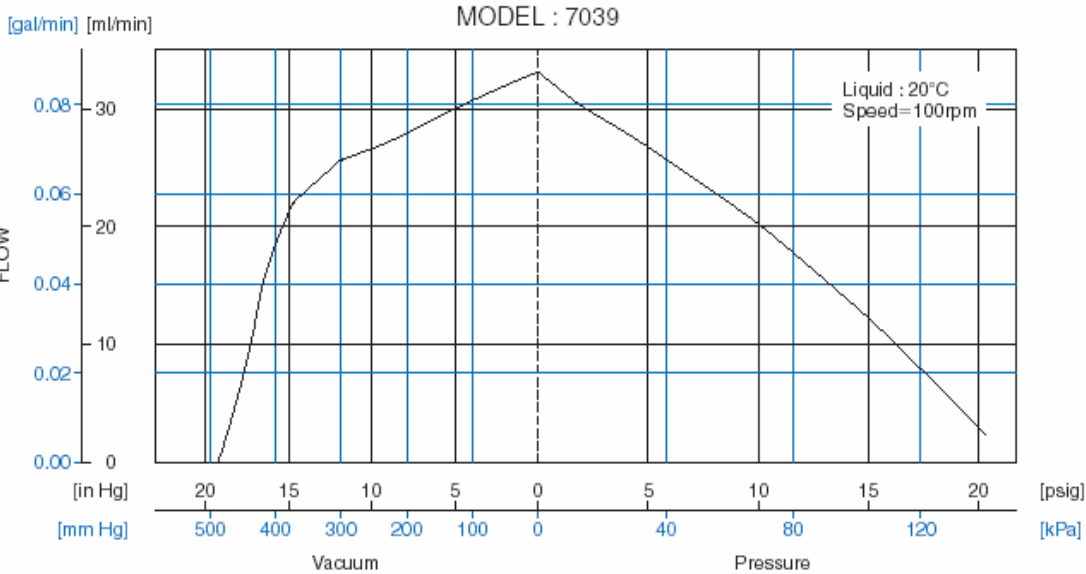
7039

Micro Diaphragm Liquid Pump



Optional Photomicrosensor: Omron, EE-SX672A (available on request) Recommended stepper driver: Japan Servo, Servex FTD3S2P16 DC24V
 Remarks) EE-SX672A is official model No. for Omron corporation and FTD3S2P16 is official model No. for Japan Servo Co.,Ltd.

Performance characteristics

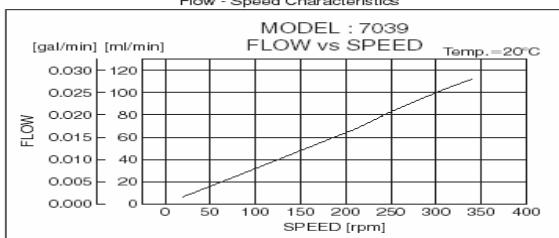


Options:

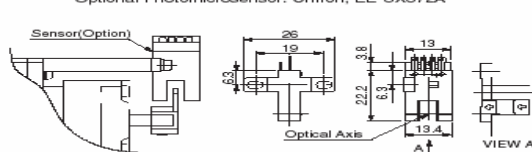
For special solutions or different wetted materials, please contact our sales division.

Ordering number	7039D	7039S	7039SD	7049	7049D	7049S	7049SD
Diaphragm	FKM	FKM	FKM	PTFE	PTFE	PTFE	PTFE
Sensor	W/O	With	With	W/O	W/O	With	With
Driver	With	W/O	With	W/O	With	W/O	With

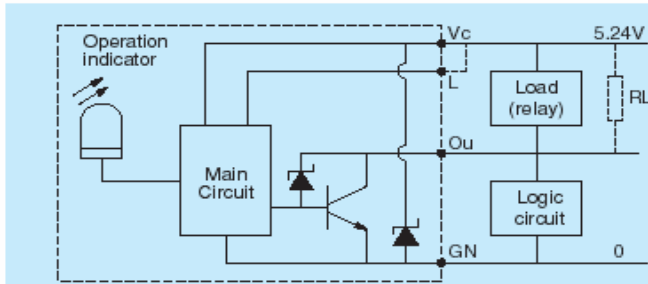
Flow - Speed Characteristics



Optional Photomicrosensor: Omron, EE-SX672A



Photomicrosensor Output Circuit (NPN)



Note: Connect RL only when logic circuit is driven

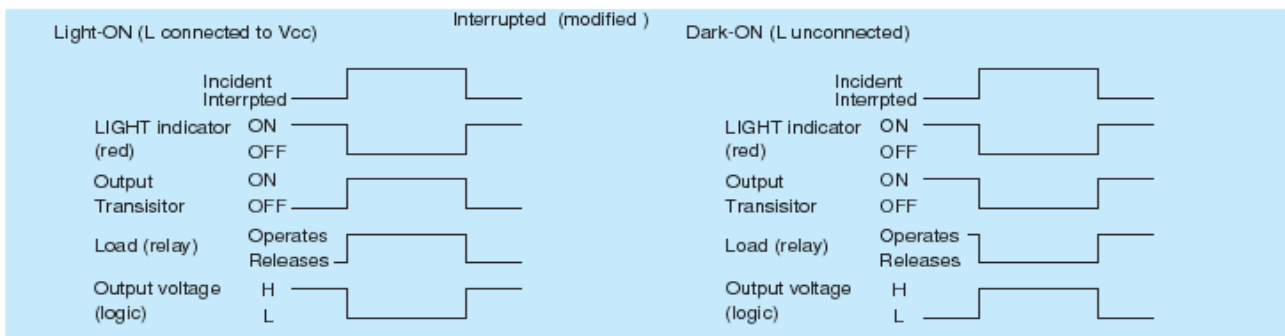
Main Specifications

Supply voltage	5...24	V
Current consumption	35	mA
Max.Load current	100	mA
Max. frequency	1	kHz

Electrical connections

Pin 1	Vcc
Pin 2	L
Pin 3	Output
Pin 4	GND

Photomicrosensor Timing Chart

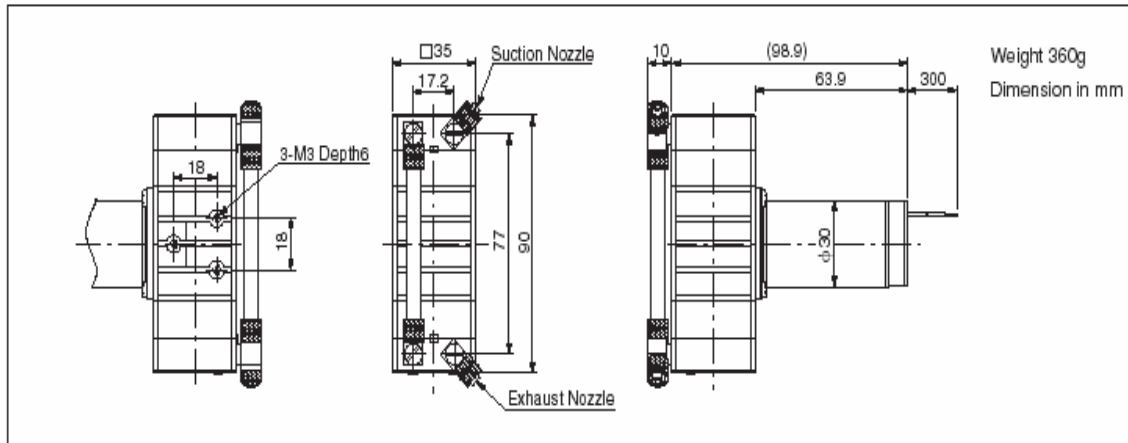


English

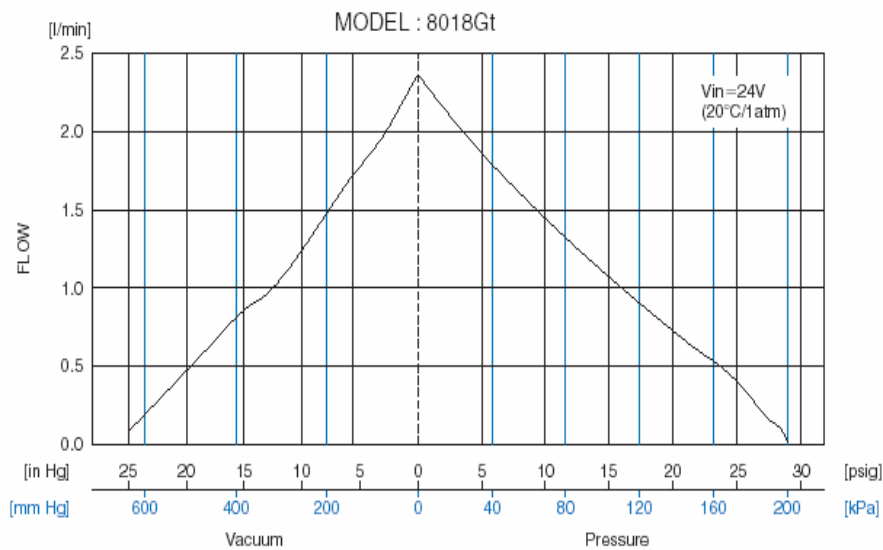
PUMP SERIES

8018Gt

Micro Diaphragm Air Pump



Performance characteristics



Options:

For special solutions or different wetted materials, please contact our sales division.

General Specifications

Ambient temperature range	+5...+50	°C
Fluid temperature	+5...+50	°C
Rubber material	FKM	
Resin material	POM	

Conditions: Data displayed in this datasheet are measured with purified water at 20°C using a Toalon-G tube of 4mm internal (6mm external) diameter and 140cm length using Namiki standard test equipment.

Specifications subject to change without notice

English